

► Features

- Illuminated LED integrated
- Crisp tactile feedback
- Various single and bi-color LED optional
- Ideal application for lighting stage console



► Applications

Panel control that requires push button switch with illumination integrated.

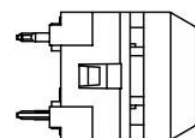
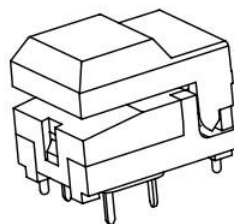
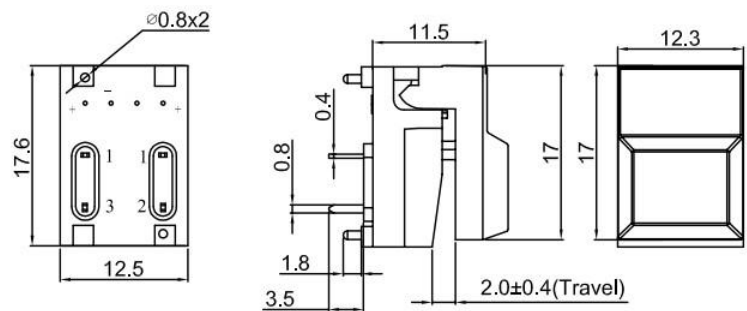
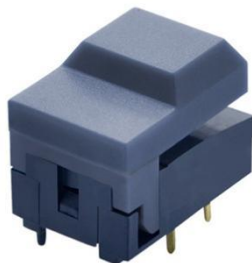
Typical for applications in pro audio&video, industrial, medical, security device, communication, controller

► Specification

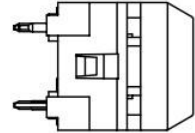
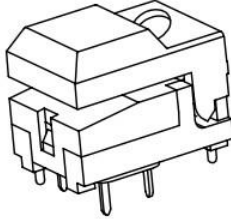
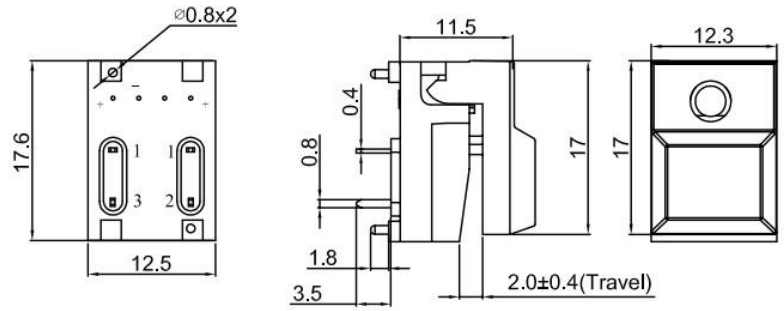
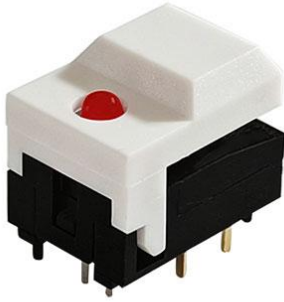
MPN	PB86 series
Power Rating	24 VDC at 12mA
Insulation Resistance	100MΩ
Dielectrical Strength	250VAC for 1-minute
Operating Force	170+/-50gf
Travel	2.0+/-0.4mm
Function	Momentary
Circuit	SPDT

► Dimension

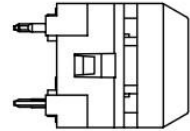
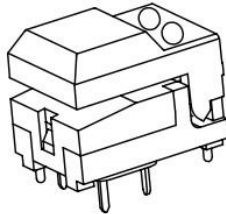
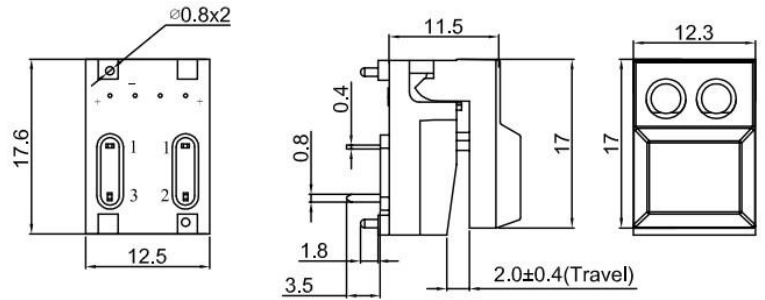
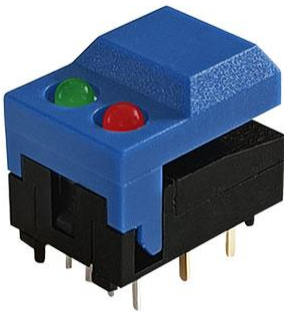
**PB86-A0ANN**



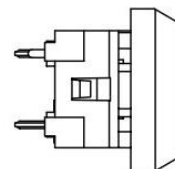
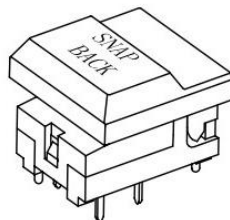
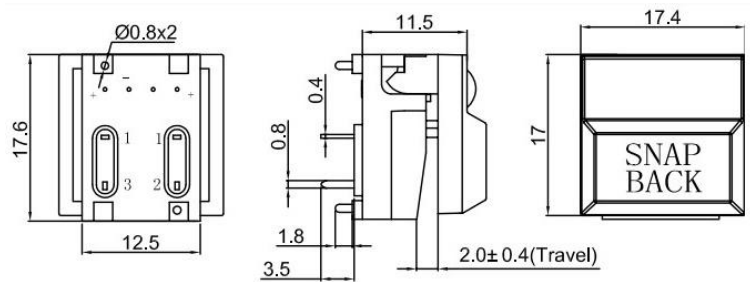
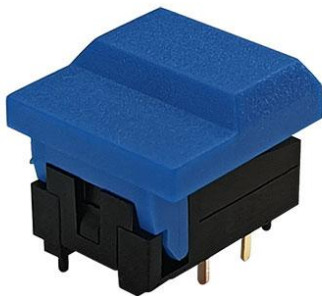
**PB86-A1WRN**



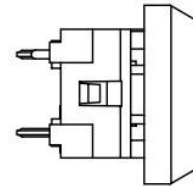
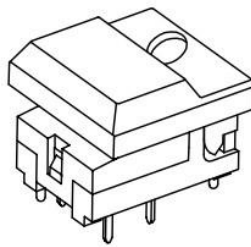
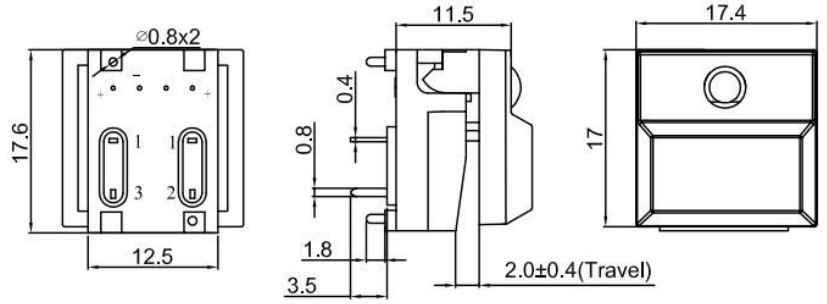
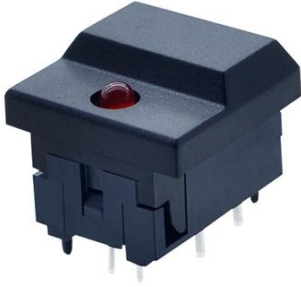
**PB86-A2URG**



**PB86-B0UNN**



**PB86-B1BRN**



**PB86-B2RRG**

