

► Features

- Illuminated LED integrated
- Through-in mount
- Latching function
- Various single and bi-color LED optional
- Custom legends is available



► Applications

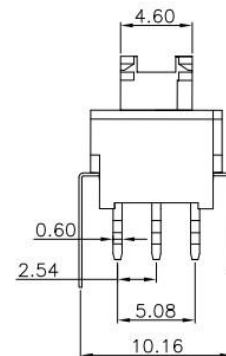
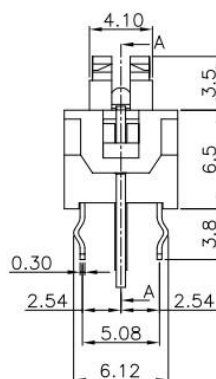
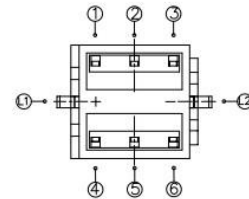
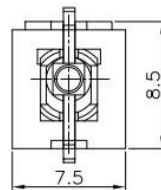
Panel control that requires tactile switch with illumination integrated.
Typical for applications in pro audio&video, industrial, medical, security device, communication

► Specification

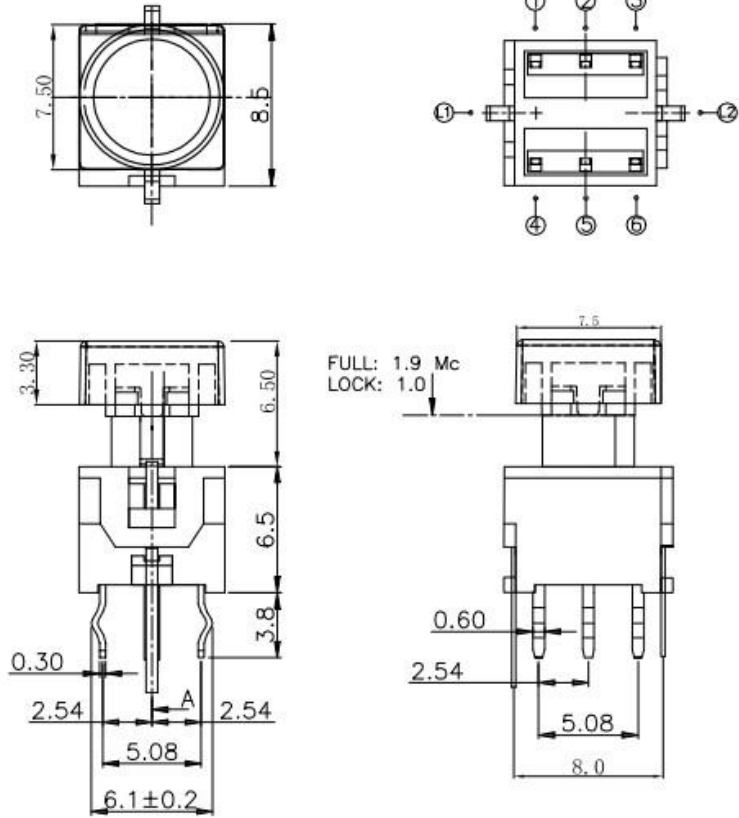
MPN	TS85 series
Power Rating	30 VDC at 0.1mA
Insulation Resistance	100MΩ
Dielectric Strength	250VAC for 1-minute
Operating Force	150gf/250gf
Lock Travel	1.4+/-0.4mm
Full Travel	1.6+/-0.4mm
Function	Latching

► Dimension

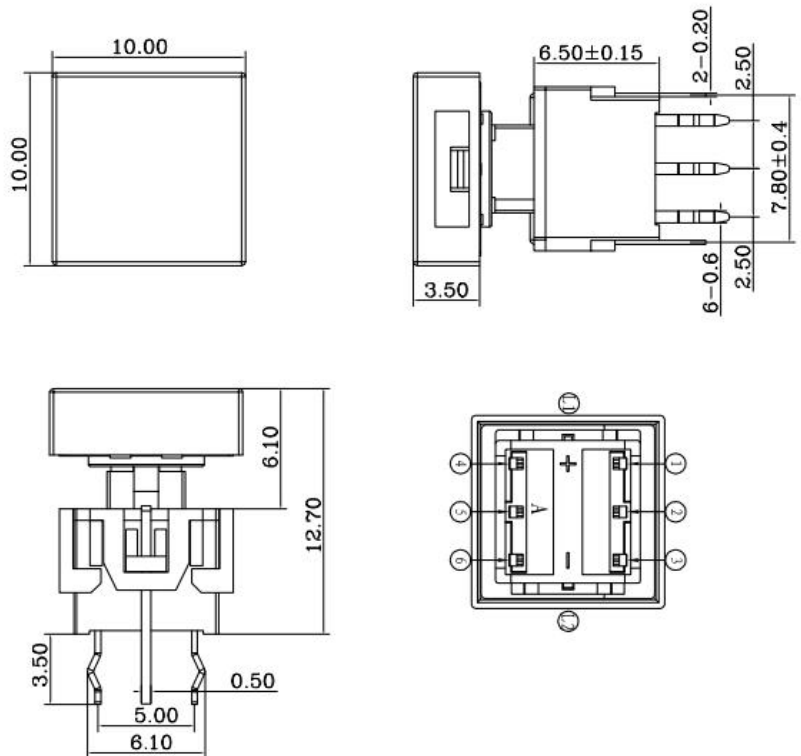
TS85-0000R



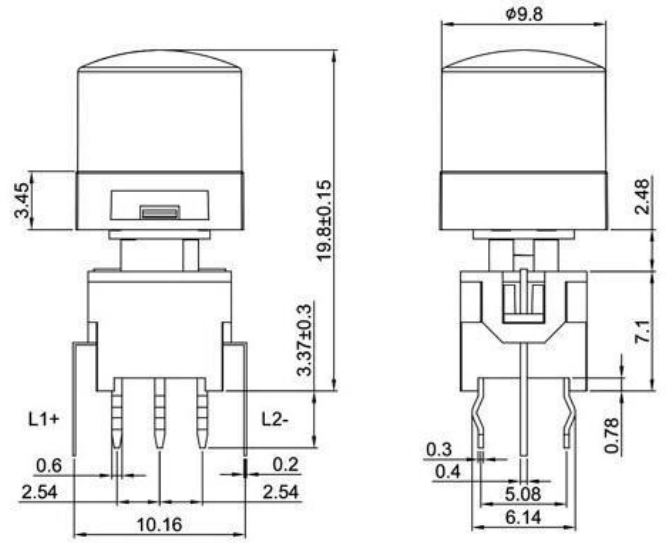
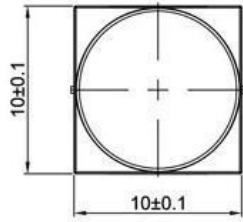
TS85-60AR6



TS85-0028WR



TS85-0029AR1



TS85-0022BG1

